



COMPRESSION LOAD CELL TYPE BM24R

APPLICATIONS:

Compression load cell type BM24R can be used in small capacity weighing systems.

Some applications are:

- Hermetically sealed IP68
- Low profile

MAIN FEATURES:

- Stainless Steel
- OIML Certificates n.: R60/2000-CN-00.03

* Available Also C4-C5



NOMINAL LOAD: Tons 0,5-1-2-3,5-5-10-13-28-60

SPECIFICATION ACCORDING TO VDI/VDE 2637			
METROLOGICAL CHARACTERISTICS		Par.	Un.
NOMINAL LOAD	Ln	Kg	0,5÷10
INITIAL LOAD	Lp	%Ln	20
MAXIMUM LOAD	Ll	%Ln	150
NON-LINEARITY	Flin	%Ln	0,017
COMBINED ERROR	Fu	%Ln	±0,0230
REPEATABILITY ERROR	Fv	%Ln	0,01
CREEP-30 MINUTES	Fcr	%Ln	±0,012
NOMINAL TEMPERATURE RANGE	Btn	°C	-10+40
ZERO TEMPERATURE DRIFT (OVER 10 °C)	TK0	%Cn	±0,010
OUTPUT TEMPERATURE DRIFT (OVER 10 °C)	TKC	%Cn	±0,09
THERMAL GRADIENT		°K/h	<5
ELECTRICAL DATA			
NOMINAL OUTPUT	Cn	mV/V	2
NOMINAL OUTPUT TOLERANCE	Dc	±%Cn	5
NOMINAL SUPPLY VOLTAGE	Bsu	V	10÷15
MAXIMUM SUPPLY VOLTAGE	Usmax	V	30
INPUT RESISTANCE	Re	Ω	1100±100%
OUTPUT RESISTANCE	Ra	Ω	1025±25%
INSULATION RESISTANCE @ 20V	Ris	MΩ	>5000
ZERO OUTPUT TOLERANCE	Do	±%Cn	±1
MECHANICAL DATA			
BREAKING LOAD	Ld	%Ln	300
MAXIMUM SIDE LOAD	Llq	%Ln	100
DEFLECTION	hn	mm	<1
ENVIRONMENTAL CONDITIONS			
WORKING TEMPERATURE RANGE	Btn	°C	-35+70
STORAGE TEMPERATURE RANGE	Bts	°C	-50+90
HOUSING PROTECTION			IP-68

CEMI s.r.l.

Largo Brugnatelli 13/16 20090 BUCCINASCO (MI) ITALY

Tel: +39-0245712209 / 0257503712 Fax: +39-0245705836 / 0257506211

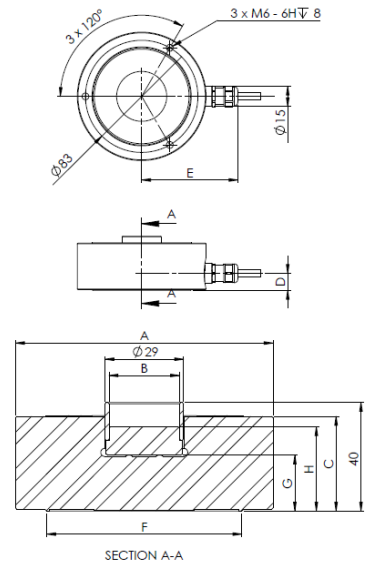
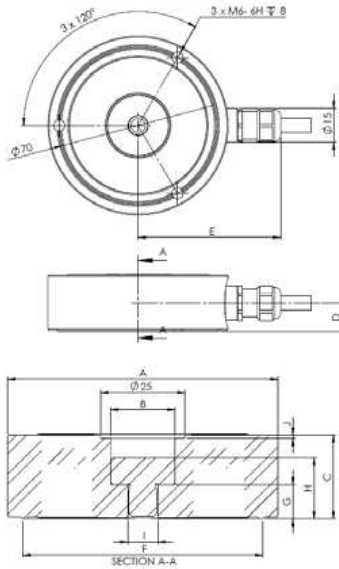
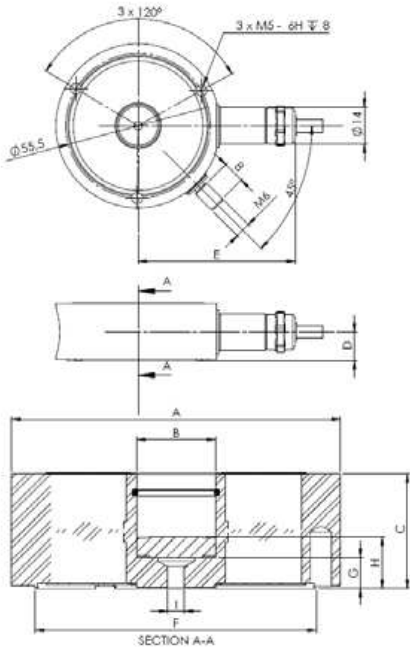
Internet: www.celmi.com mail: info@celmi.com

Outline Dimensions in mm including load adaptor.

0.06, 0.13,

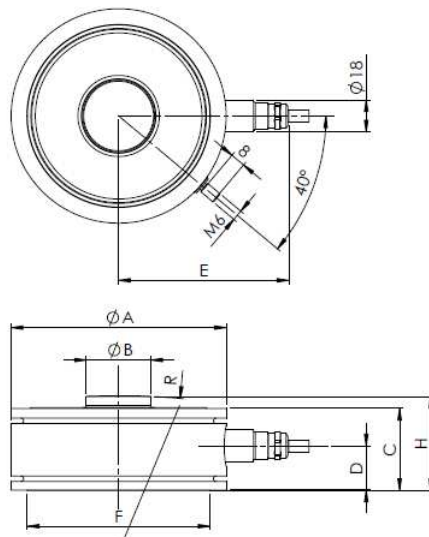
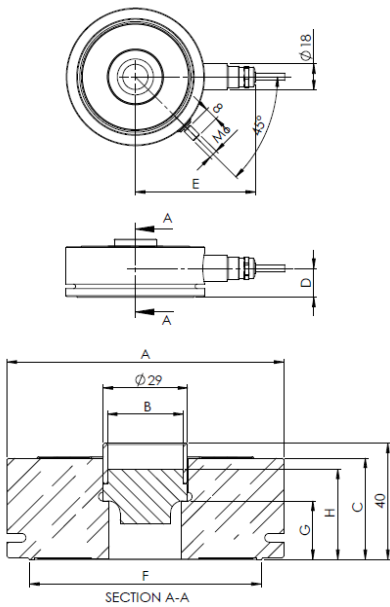
0.28t 250kg, 0.5, 1, 2, 3.5, 5t,

10t

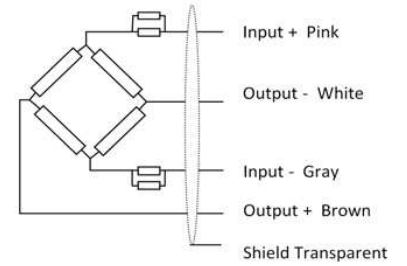


13t

28, 60t



4 - Wire



Cable Length: mt - 3m from 0,06t till 1t, 6m from 2t till 5t, 15m from 10t till 60t

CAPACITY t	ØA	ØB	C	D	E	ØF	G	H	I	J	R
0,06-0,13-0,28	63	15,1	22	11	60	54	6	10	Ø3,2	--	--
0,5-1	80	19	25	12,5	65	71	10	18	M10	1	--
2-3,5,5	80	19	30	12,5	65	71	10	18	Ø15	6	--
10	95	26	35	12,5	72	75	20,7	31,2	--	--	--
13	95	26	35	20	85	79,5	20	31	--	--	--
28	120	35,9	46	25	94	102	--	53	--	--	400
60	140	47,9	62	34	104	124	--	69	--	--	600