



UNIVERSAL LOAD CELL TYPE 336



CANopen



Applications:

The tension/compression type 336 can be used in small and medium loading capacity weighing systems.

Some applications are:

- Materials testing machines
- Belt conveyor scale
- Weighing in silos, hopper, tanks, etc.

Main features:

- Water-proof
- Stainless steel soldered with microplasma
- Available with **CANopen** output (CIA 404)
- Available with analog output 4-20mA
- Standard nominal load from 250 to 10.000 Kg
- High precision (equivalent to OIML C3)
- ATEX certification

Nominal load:

Kg: 250-500 ; t: 1-2-3-5-10



**UNIVERSAL
LOAD CELL
TYPE 336**

Specification according to VDI/VDE 2637

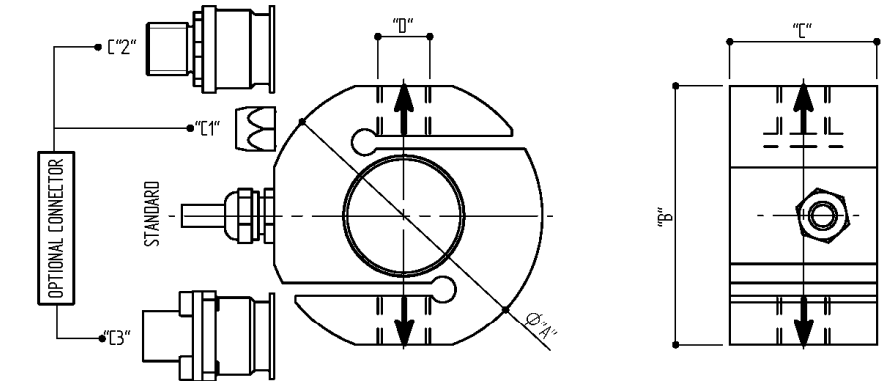
Metrological Characteristics	Par.	Un.	
Combined Error	Fcomb	±%Ln	0,035
Initial Load	Ln	t	0,25÷10
Minimum Load	Lp	%Ln	25
Maximum Load	Ll	%Ln	130
Linearity	Flin	±%Ln	0,02
Hysteresis	Fu	±%Ln	0,015
Repeatability	Fv	±%Ln	0,01
Creep (in 30')	Fcr	±%Ln	0,02
Nominal Temperature Range	Btn	°C	-10+40
Zero Temperature Drift (10÷60°C, over 10°C)	TKo	±%Cn	0,065
Output Temperature Drift (10÷60°C, per 10°C)	TKC	±%Cn	0,035
Thermal Gradient		K/h	<5

Electrical Data			
Nominal Output	Cn	mV/V	2
Nominal Output Tolerance	Dc	±%Cn	0,1
Nominal Supply Voltage	Bsu	V	1÷12
Maximum Supply Voltage	Usmax	V	15
Input Resistance	Re	Ω	430±10%
Output Resistance	Ra	Ω	350±1%
Insulation Resistance @20V	Ris	MΩ	>2000
Zero balance	Do	±%Cn	1

Mechanical Data			
Breaking Load	Ld	%Ln	>250
Maximum Side Load	Llq	%Ln	N.A.
Deflection	hn	mm	<0,5
Cable Length		m	5
Weight		Kg	

Environmental Conditions			
Working Temperature Range	Btn	°C	-40+80
Storage Temperature Range	Bts	°C	-40+80
Housing Protection			IP 66/68

Subject to change without notice



SHEilded POLYURETHANE CABLE WITH 4x0,35 mm ² FOR SINGLE BRIDGE AND 8x0,125mm ² FOR DOUBLE BRIDGE				STANDARD LENGTH 5m OTHER LENGTH ON REQUEST			
SINGLE BRIDGE	TYPE 336A-XXX 36AC-XXX		TYPE 336AM A-XXX 336ACMA-XXX		TYPE 336ACO-XXX 336ACCO-XXX		
		BLUE	+SUPPLY	BLUE	+SUPPLY	BLUE	+SUPPLY
	BLACK	-SUPPLY	BROWN	-SUPPLY	BROWN	-SUPPLY	
	RED	+SIGNAL	GRAY	+4-20mA	RED	CAN H	
	WHITE	-SIGNAL			WHITE	CAN L	
DOUBLE BRIDGE	TYPE 336ADP-XXX 336ACDP-XXX		TYPE 336ADPMA-XXX 336ACDPMA-XXX		TYPE 336ADPCO-XXX 336ACDPCO-XXX		
		GREEN	+SUPPLY	GREEN	+SUPPLY	GREEN	+SUPPLY
	YELLOW	-SUPPLY	YELLOW	-SUPPLY	YELLOW	-SUPPLY	
	GRAY	+SIGNAL	GRAY	+4-20mA	GRAY	CAN H	
	PINK	-SIGNAL			PINK	CAN L	
	BLUE	+SUPPLY	BLUE	+SUPPLY	BLUE	+SUPPLY	
	BROWN	-SUPPLY	BROWN	-SUPPLY	BROWN	-SUPPLY	
	RED	+SIGNAL	RED	+4-20mA	RED	CAN H	
	WHITE	-SIGNAL			WHITE	CAN L	

DOUBLE CIRCUIT CONFIGURATION WILL BE SUPPLIED ONLY WITH CABLE OR CONNECTOR "C2"

ORDER INFORMATION
336A X X X X

TYPE
 "C1" CONNECTOR M8
 "C2" CONNECTOR M12
 "C3" CONNECTOR SOURIAU
 "DP" DOUBLE INDEPENDENT MEASUREMENT CIRCUIT
 "MA" OUTPUT 4-20 mA
 "CO" OUTPUT CAN OPEN CIA 404

NOMINAL LOAD

10T=10.000 Kg	118	114	41	M30X2
5T=5.000 Kg	82	80	39	M24X2
4T=4.000 Kg	82	80	39	M24X2
3T=3.000 Kg	82	78	39	M20X15
2T=2.000 Kg	82	78	39	M16X2
1T=1500 Kg	64	60	39	M16X2
1T=1000 Kg	64	60	34	M12
500K=500 Kg	64	60	34	M12
250K=250 Kg	64	60	34	M12
	"A"	"B"	"C"	"D"

MICRO-PLASMA WELDED

ALL STAINLESS STEEL

OPTIONAL MOUNTING KIT

mA OUTPUT LOAD CAPACITY VERSUS POWER SUPPLY

